

扫一扫 关注我



欢迎查阅官网



# INTRODUCTION

马斯德克致力于成为可提供高品质建筑空间整体解决方案的专业提供者。引进了国际先进的全自动柔性加工生产中心和先进的自动喷涂流水线, 专注多年的钢制建材产品生产、沉淀与发展, 产品种类已涵盖医用钢质门、无障碍移门系统; 室内门、防火门、玻璃隔断及钢制墙板、金属吊顶等。马斯德克严格执行欧盟CE及德国DIN品质标准, 提供绿色环保、万无一失的品质保证是我们的承诺。

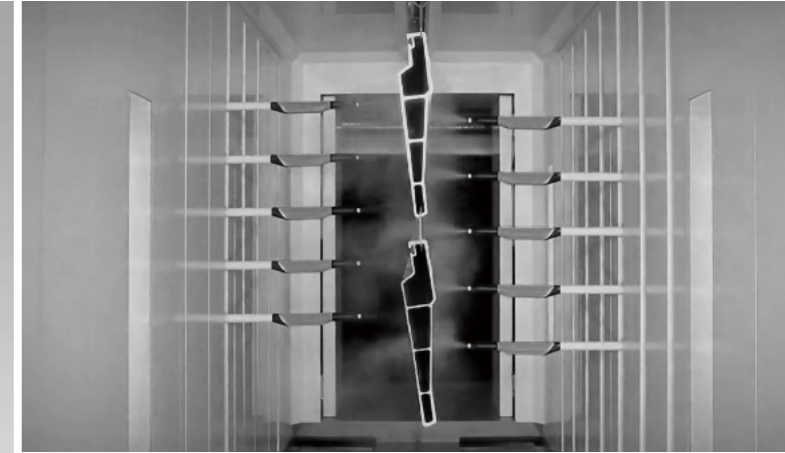
马斯德克严苛的品质要求, 是您的信任之选, 期待与您一起创造出更智能、更绿色、更有设计感的现代建筑空间环境而努力。

马斯德克——建筑空间整体解决方案专业提供者

Mörsdekor is committed to become a professional company that can provide integrated solutions of architectural space. Our company has introduced the international most advanced fully automatic flexible manufacturing center and advanced automatic spraying line, After many years of precipitation and development for production of steel building materials product, our product range has covered steel doors, barrier free door, interior doors, steel fire door, steel wall plate, steel space partition, metal ceiling and so on. Marsdekor strictly implement the EU CE and Germany DIN quality standard, so as to provide the green environmental protection and perfectly safe quality assurance, which is our promise.

Strict product quality of Mörsdekor is the choice of your trust, and we look forward to working with you together to create a more intelligent, more environmental, more design sense of modern architectural space environment.

Mörsdekor  
—Professional provider of architectural space integrated solution



**Mörsdekor**<sup>®</sup>  
马斯德克







# Mörsdekor



" 3R "准则：是马斯德克环保方针，践行于设计、生产、管理的每个细节中，实现绿色生产。这也是企业应承担的社会责任

" 3R " criteria: is Mörsdekor environmental protection policy, and practice is applied in every detail of design, production and management to achieve green production . This is also the corporate social responsibility

## 设计卓越

马斯德克每年对研发的投入约占销售总额的5%，且此比重还在持续提升中。就市场对钢制建材行业产品的技术需求及改进做出迅速反应，依靠先进的研发技术洞察，实现了企业质的飞跃发展。

## Design Excellence

Mörsdekor's annual investment in R & D accounts for is about 5% of the total sales, and this proportion is still in continuous improvement. Mörsdekor makes rapid response on the market for steel building materials industry technology needs and improvement. Relying on advanced R & D technology insight, which has realized the qualitative leap development.

## 产品优质

我们严谨生产、鼓励创新，从源头精选原材料，采用宝钢镀锌钢板，高强度的品质保证，结合仿生优质蜂窝和德国进口五金配件，细心把握每一个细节，从人性化的关怀给予使用者的舒适手感、力度及体验感；营造绿色环保的品质同时满足时尚空间的设计潮流，体验舒适和安全。

## Product Quality

We highly guarantee the quality in strict production; encourage innovation and selecting galvanized steel from Baosteel. Combined with the bionic high-quality cellular and Germany hardware fittings, we grasp every detail carefully, from the humanistic care to provide users the comfortable feel, strength and experience. We create the quality of the green environmental protection at the same time meet the design trends of the fashion space and experience comfort and safety.

## 制作精良

马斯德克产品采用多边柔性工艺，门框、门扇表面无焊点，进口优质不锈钢五金配件，与德国合作研发、设计、技术创新。严格执行欧盟CE及德国DIN品质标准，引领国内建筑空间环境行业高端市场典范。

## Well Made

Mörsdekor has developed multilateral flexible technics, door frames, door leaf surface without welds in the product, imported high quality stainless steel hardware fittings and also, cooperated with the Germany for R & D, design and technical innovation. We strictly implement the EU CE and Germany DIN quality standard and lead the high-end domestic architectural environment industry market model.

## 施工便捷

马斯德克的产品体系可充分实现各装饰面一体化的完美结合，使墙面装饰线条与吊顶面线条一气呵成，系统化的施工流程，简化传统装修步骤，提高施工效率。

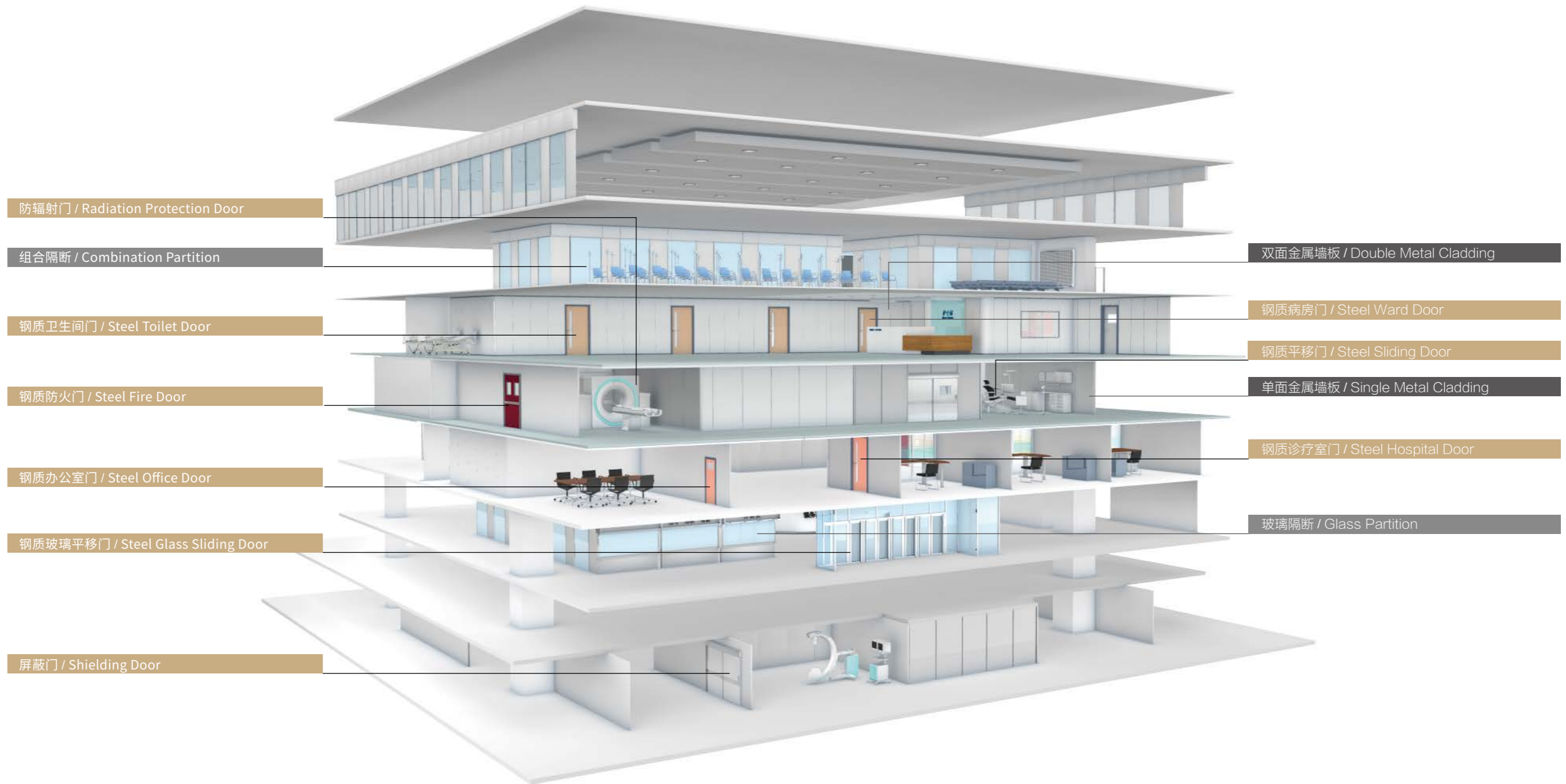
## Convenient Construction

Mörsdekor's product system can fully realize the perfect integration of wall and ceiling with the decorative wall and ceiling surface. Systematic construction process and simplification of traditional decoration steps improves the efficiency of construction.



# 医疗环境整体解决方案

## Hospital Environment Integrated Solutions



防辐射门 / Radiation Protection Door

组合隔断 / Combination Partition

钢质卫生间门 / Steel Toilet Door

钢质防火门 / Steel Fire Door

钢质办公室门 / Steel Office Door

钢质玻璃平移门 / Steel Glass Sliding Door

屏蔽门 / Shielding Door

双面金属墙板 / Double Metal Cladding

钢质病房门 / Steel Ward Door

钢质平移门 / Steel Sliding Door

单面金属墙板 / Single Metal Cladding

钢质诊疗室门 / Steel Hospital Door

玻璃隔断 / Glass Partition



### 手术室

洁净、抗菌、防止尘埃堆积、耐污性、隔音



### 诊疗室

洁净、抗菌、耐污染、防化学侵蚀、私密性



### 病房 CCU & ICU

强调病人隐私权、安静、降噪、洁净、抗菌



### 护士站

现代的医疗环境、降噪音、需营造安静的就诊空间、易清洁、易维护



### 办公室

简洁实用、易清洁、易维护、节能



### 门诊大厅

简洁实用、耐冲击、降噪、易清洁、易维护

### 医用产品特点 / Medical Product Features:







## 匠心品智，信赖之选

马斯德克严苛品质为各类医疗空间环境的特定需求提供专业产品支持，匠心研发无障碍移门系统、钢制平开门系统、特种门、金属墙板系统、金属吊顶。马斯德克与你一起，为打造出更舒适、更现代、更设计感的医疗环境而努力，是您的信赖之选！

Mörsdekor is strict with the quality and provides professional product support for special requirements of various medical environments. Mörsdekor has developed barrier free sliding door system, steel side hung door, special door, metal cladding system and metal ceiling. Mörsdekor is striving for providing a more comfortable and modern medical environment with comfortable of design together with you. Trust us, choose us!

# INDEX

## 08 特种门系统 Special Door System

手术室门 / Hermetic Door  
屏蔽门、防辐射门 / Heavy X-ray Shielding Automatic Door  
防火门 / Steel Fire Door

## 20 无障碍系统 Barrier Free System

BK系列 — 内藏式移门 / BK Series — Sliding Door  
E系列 — 外挂式移门 / E Series — Sliding Door  
BWA系列 — 二联式移门 / BWA Series — Two Linkage Sliding Door  
设备子母系列 / Multifunctional Unequal Leaf Sliding Door  
FDP系列 — 无障碍折叠门 / FDP Series — Folding Door

## 34 平开门系统 Side Hung Door System

平开病房门、诊疗室门 / Steel Door For Ward / Clinic  
盥洗室门 / Steel Door For Toilet

## 38 隔断 & 墙板 Partition & Cladding

## 46 金属吊顶 Steel Ceiling

## 50 饰面选择 Finishes Options





手术中  
DURING THE OPERATION

双作用特殊轨道方便和保证密封开启  
Dual acting special rail is for easy and guaranteed sealing and opening.



舷窗玻璃设计优雅  
实用、清洁、密封  
The window glass design is elegant, practical, clean and sealed.

手术中  
DURING THE OPERATION

极简外部把手设计, 即使断电也能轻松开启  
Minimalist design of external handle can be opened easily even if the power is cut off.

# 手术室门 Hermetic Door

## 设计美观

马斯德克手术室门风格大气简练, 设计美观大方, 色调明快, 并可满足客户的个性化设计方案, 门型除了满足功能需求外, 更与环境色彩谐调, 赋予区域整体感。

## Aesthetics Of Design

Mörsdekor operating room door has concise style, beautiful design and bright color, which can satisfy the clients' personalized design scheme. Besides meeting the functional requirements, different types of door can be harmonious with the environment color and give the overall regional sense.

## 功能齐全

马斯德克手术室门具有多种开启方式, 智能防夹功能, 完美的气密功能, 满足医院环境对手术室门系统的各类功能要求。采用多种启动和联动方式, 可用手动手柄或按钮开启, 也可用手肘感应、脚感应、密码输入等自动模式开启, 满足不同场所及不同医院客户个性化需求, 同时能解决建筑各种墙体厚度、门套收边、门体款式等各种情况的灵活应用。

## Complete Function

Mörsdekor operating room door has multiple opening manners, intelligent anti-pinch function and perfect airtight function, which can satisfy the function requirements of hospital environment for operating room door system. A variety of start-up and linkage modes is adopted. Using manual handle or button to open or in automatic modes like elbow induction, foot induction and password input to open. This can meet the personalized needs of different hospitals and different places and can solve all kinds of building wall thickness, door edge and the door styles in different situations flexibly.

## 抗菌易洁

表面阿克苏聚酯涂层, 具有抗菌性, 易清洁, 能一定程度的防止交叉感染。

## Antibacterial

There is Akzo polyester coating on the surface, which is antibacterial and easy to clean, preventing cross infection to a certain extent.





# 手术室气密自动门 Automatic Hermetic Door



特殊把手设计  
Special design of handle



无碰触开启控制  
Non touch opening device



可选配防辐射玻璃  
Optional anti-radiation glass

## 产品特性

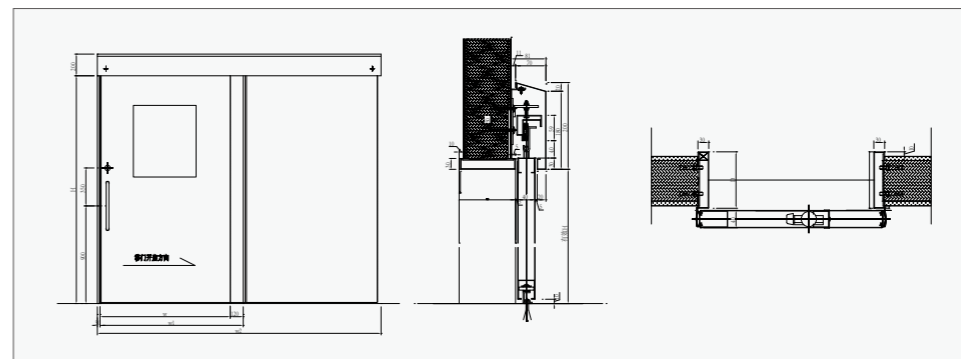
- 可采用外挂或嵌入式安装，嵌入式安装与墙体保持同一平面，美观且富有整体感。
- 独特的拉手设计，使停电时的开启力更低。
- 整体运行轻快安宁，室内外隔声效果好。
- 门体坚固厚实，快速开闭，空气流通量减小到较低程度，可防冷风以及尘土进入有洁净要求的场所，保持恒温、恒湿。
- 人性化无障碍设计，使病人和推车安全通行和使用便利。

## Product Features

- Plug-in or embedded installation can be adopted. Embedded installation maintains the same plane with the wall, which is beautiful and full of wholeness.
- Special design of handle gives smaller opening force when the electricity fails.
- The overall operation is light and quiet, and indoor and outdoor sound insulation effect is perfect.
- The door body is thick. The door can be rapidly opened and closed. The air circulation is reduced to the lower level, which can prevent cold wind and dust into the clean place, keeping constant temperature and humidity.
- Humanized barrier free design is convenient for patients and carts' safe passage and usage.

## 门型参数 / SPEC

|  |   |
|--|---|
| 门框钢板厚度 / Steel panel thickness of door frame           | 1.5 mm  |
| 门扇钢板厚度 / Steel panel thickness of door leaf            | 0.8 mm  |
| 门扇厚度 / Thickness of the door leaf                      | 40 ~ 50 mm  |
| 门扇骨架厚度 / Thickness of the door leaf frame              | ≥ 1.0 mm  |
| 开闭门运行速度 / Operating speed (opening / closing the door) | 250 ~ 500 mm/s (可调)   |
| 手动推力 / Manual thrust                                   | < 100 N   |
| 供电要求 / Power supply requirement                        | 220 ± 20% VAC, 50 / 60Hz  |
| 控制器 / Controller                                       | 可选配驱动感应器  |
| 隔声性能 / Sound insulation performance                    | Rw = 33 dB 三级 (GB / T8485-2008)   |
| 防撞性能 / Anti-collision performance                      | 符合GB / T20909-2007  |
| 保温性能 / Thermal insulation performance                  | 传热系数K = 2.8W / (m <sup>2</sup> .k) 五级                                     |
| 内部填充 / Infill material                                 | 聚氨酯发泡材料、蜂窝芯 / Optional drive sensor, Honeycomb paper                      |
| 单开门MAX / Single door MAX (mm)                          | 1250 × 2500 mm  |
| 双开门MAX / Double door MAX (mm)                          | 2500 × 2500 mm  |
| 可选视窗 / Optional window                                 | 圆形、方形玻璃视窗 (双层钢化玻璃)<br>Round, square glass window (double toughened glass) |







# 手术室气密双开自动门 Automatic Hermetic Door



特殊把手设计  
Special design of handle



无碰触开启控制  
Non touch opening device



可选配防辐射玻璃  
Optional anti-radiation glass

## 产品特性

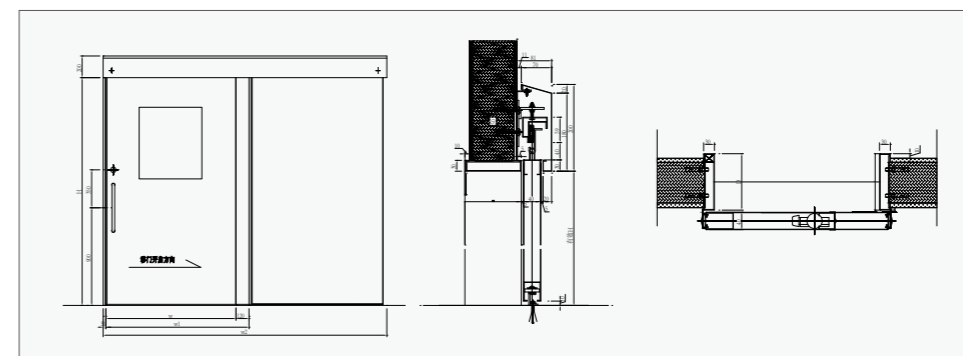
- 外挂式的动力梁及门体直接外挂于墙体，安装快速简便。
- 进口原装直流电机，高寿命，高效率，高品质保证，整体运行轻快安宁。
- 密封性良好，防止交叉感染，提升洁净性能。
- 门体坚固厚实，快速开闭，空气流通量减小到较低程度，可防冷风以及尘土进入有洁净要求的场所，保持恒温、恒湿。
- 人性化无障碍设计，使病人和推车安全通行和使用便利。

## Product Features

- The external mounting power beam and door body are directly hung on the wall for quick and convenient installation.
- Imported DC Motor has long life, high efficiency and high quality assurance, and overall operation is light and quiet.
- Good sealing can prevent cross infection and improve the cleaning performance.
- The door body is thick. The door can be rapidly opened and closed. The air circulation is reduced to the lower level, which can prevent cold wind and dust into the clean place, keeping constant temperature and humidity.
- Humanized barrier free design is convenient for patients and carts' safe passage and usage, and provides the greatest possible convenience.

## 门型参数 / SPEC

|  |   |
|--|---|
| 门框钢板厚度 / Steel panel thickness of door frame             | 1.5 mm  |
| 门扇钢板厚度 / Steel panel thickness of door leaf              | 0.8 mm  |
| 门扇厚度 / Thickness of the door leaf                        | 40 ~ 50 mm  |
| 门扇骨架厚度 / Thickness of the door leaf frame                | ≥ 1.0 mm  |
| 开闭门运行速度 / Operating speed ( opening / closing the door ) | 250 ~ 500 mm/s (可调)   |
| 手动推力 / Manual thrust                                     | < 100 N   |
| 供电要求 / Power supply requirement                          | 220 ± 20% VAC, 50 / 60Hz  |
| 控制器 / Controller   | 可选配驱动感应器  |
| 隔声性能 / Sound insulation performance                      | Rw = 33 dB 三级 (GB / T8485-2008)   |
| 防撞性能 / Anti-collision performance                        | 符合GB / T20909-2007  |
| 保温性能 / Thermal insulation performance                    | 传热系数K = 2.8W / (m <sup>2</sup> .k) 五级                                     |
| 内部填充 / Infill material                                   | 聚氨酯发泡材料、蜂窝芯 / Optional drive sensor, Honeycomb paper                      |
| 单开门MAX / Single door MAX (mm)                            | 1250×2500 mm  |
| 双开门MAX / Double door MAX (mm)                            | 2500×2500 mm  |
| 可选视窗 / Optional window                                   | 圆形、方形玻璃视窗 (双层钢化玻璃)<br>Round, square glass window (double toughened glass) |



#### 优质滑轨 / High-quality sliding rail

高品质的滑轨及阻尼缓冲结构, 保证开启安静轻便灵活。  
High-quality sliding rail and damp buffer structure ensures opening is quiet, lightly convenient and flexible.

#### 防辐射铅板 / Radiation protection lead plate

2.5mm高密度的防护铅板(铅当量3-6mmpa), 有效防护电离辐射。  
Protection lead plate with 2.5mm high density (lead equivalent is 3-6mmpa) effectively protect ionizing radiation.

#### 固定层 / Fixation layer

#### 填充层 / Packing layer

聚氨酯发泡胶 Polyurethane polystyrene foam

#### 镀锌钢板 / Galvanized steel sheet

门扇采用宝钢1.5mm优质镀锌钢板, 芬兰FINN Power全自动加工, 多边形工艺, 表面无焊点。  
The door leaf is made of 1.5mm quality galvanized steel sheet made by Baosteel, fully automatically processed by Finland FINN Power, adopts multi-edge flexibility crafts, without welding spot in the surface.

#### 防撞不锈钢护板 Anti-collision stainless steel protection board

可配不锈钢防护板, 有效防护门扇的撞击。  
It can be supported with stainless steel protection board to effectively protect collision of door leaf.

#### 医用把手 / Medical handle

标准的医用把手, 即使在断电的情况下也可以轻松打开。  
Standard medical handle with which the door can be easily opened even if the power is off.

#### 抗菌涂层 / Antibacterial coating

表面阿克苏聚酯涂层, 即防锈又抗菌。  
The Akzo polyester coating in the surface is for rust protection and antibacterial

## 防辐射门 Radiation Protect Sliding Door

马斯德克防辐射门有效阻止危险射线的泄漏, 保护医患人员不受到伤害。高品质的含铅特种玻璃视窗, 不仅能提供安全保护, 更能满足不同的设计需要。

Morsdekor radiation protection doors prevent hazardous radiation leakage, protect medical personnel from harm. High quality leaded-glass windows, provide security and better able to meet different design requirements.



- 可选用不锈钢材质门扇  
Stainless steel door leaf can be selected
- 可加装防辐射视窗满足采光或可视要求  
Radiation protection window can be installed to meet lighting or visual requirement





## 屏蔽门 / 防辐射门

# Heavy X-ray Shielding Automatic Door



特殊把手及防撞设计  
Special design of handle



无碰触开启控制  
Non touch opening device



遥控开关  
Remote control switch

### 产品特性

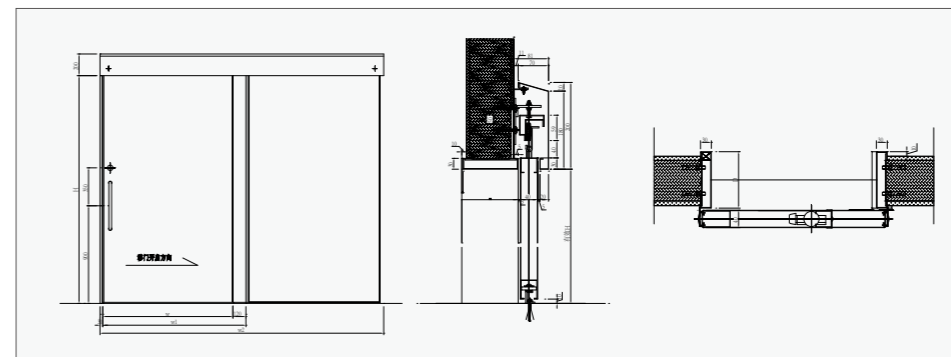
- 内衬铅版, 铅当量为3~6mmpa, 可遮蔽X射线, 防止多种有害射线泄露对人体造成伤害, 通过中国疾病预防控制中心辐射防护与核安全医学所检测, 符合诊断X射线防护要求。
- 门体型材及动力梁装有密封条, 能满足医院等场所的洁净要求。
- 控制系统完全按照医用电气系统安全要求设计, 并可根据医院方的要求采用多种控制方式。不对同一环境中的其它设备形成电磁干扰。
- 可采用平移或气密式自动门做载体, 也可采用外挂或嵌入式安装方式, 美观大方。

### Product Features

- Inner lead plate with lead equivalent by 3-6mmpa can be used for shielding X ray to prevent from injury to human resulted from leakage of many kinds of harmful rays. It is in accordance with requirement of diagnosed X ray protection after tested by radiation protection and nuclear safety medical science of disease prevention and control center of China.
- Door section and impetus beam are installed with sealing strip, so as to be able to meet requirement of cleaning for hospitals and other sites.
- The control system is designed totally according to safety requirement of medical electrical system, and adopts many kinds of control methods in line with requirement of hospital, which can not electromagnetically interfere with other equipment in the same environment.
- Translation or airtight-type automatic door can be used as carrier by means of plug-in or embedded installation, for it looks beautiful.

### 门型参数 / SPEC

|  |   |
|--|---|
| 门框钢板厚度 / Steel panel thickness of door frame             | 1.5 mm  |
| 门扇钢板厚度 / Steel panel thickness of door leaf              | 0.8 mm  |
| 门扇厚度 / Thickness of the door leaf                        | 40 ~ 60 mm  |
| 门扇骨架厚度 / Thickness of the door leaf frame                | ≥ 1.0 mm  |
| 开闭门运行速度 / Operating speed ( opening / closing the door ) | 250 ~ 500 mm/s (可调)   |
| 供电要求 / Power supply requirement                          | 220 ± 20% VAC, 50 / 60Hz  |
| 控制器 / Controller   | 可选配驱动感应器  |
| 隔声性能 / Sound insulation performance                      | Rw = 33 dB 三级 (GB / T8485-2008)   |
| 防撞性能 / Anti-collision performance                        | 符合GB / T20909-2007  |
| 保温性能 / Thermal insulation performance                    | 传热系数K = 2.8W / (m <sup>2</sup> .k) 五级                                     |
| 内部填充 / Infill material                                   | 聚氨酯发泡材料, 2.5mm铅版 / Optional drive sensor, lead plate                      |
| 单开门MAX / Single door MAX (mm)                            | 1250×2500 mm  |
| 双开门MAX / Double door MAX (mm)                            | 2500×2500 mm  |
| 可选视窗 / Optional window                                   | 圆形、方形玻璃视窗 (双层钢化玻璃)<br>Round, square glass window (double toughened glass) |



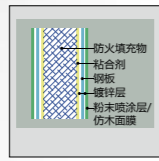
### 门框密封 / Sealing of door frame

门框内镶嵌PVC密封条, 不仅使门在关闭时安静无声, 而且增强了门框与门扇之间的密封效果。  
Door frame is embedded with PVC sealing strip, which not only make door silently when closed, but also improve sealing effect between door frame and door leaf.



### 防火填充物 / Fireproof filler

新型环保型防火填充材料, 防火效果更胜一筹。此外还可以达到隔热隔音效果。  
New environment-friendly fireproof filler has better fireproof effect, and it can achieve hot and sound insulation effect.



### 防火锁芯 / Fireproof lock cylinder

锁芯采用国际标准的不锈钢材质, 安全有保障。  
The stain steel lock cylinder accords with international standard.



### 防火门板 / Fireproof door sheet

门扇0.8mm环保热镀锌钢板、门框1.5mm环保热镀锌钢板。  
Door leaf is made of 0.8mm environmental galvanized steel, door frame is made of 1.5mm galvanized steel



### 防火膨胀密封条 / Fireproof swelling sealing strip

门扇三侧镶有防火膨胀密封条, 当发生火情时迅速膨胀, 填补门扇与门框之间的缝隙, 有效阻断火焰和烟雾蔓延。  
The fireproof swelling sealing strips are installed in three sides of door leaves, which can fill up the gap between door leaf and door frame when fire is rapidly expended, so as to effectively stop flame and smog



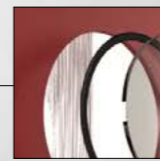
### 防火数字标签 / Fireproof digital label

根据中国消防法规, 每一樘防火门都要粘贴识别身份的防火数字标签。生产单位按要求将产品名称、规格、产品流向等全部信息上报给消防产品跟踪管理系统数据库。  
According to China Fire Safety rules, each fireproof door shall be labeled with fireproof digital label which is used for ID identification. The manufacturer shall submit all the information including product name, specifications, product flow, etc. to database of fireproof product track management.



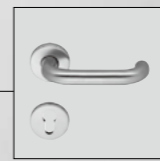
### 视窗防火玻璃 / Fireproof glass of window

35mm防火玻璃, 其性能应符合GB15763.1的规定。  
The property of 35mm fireproof glass shall be in accordance with regulations of GB15763.1.



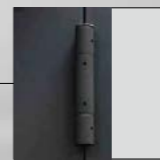
### 密封材料 / Sealing material

采用对人体无毒无害, 检验达到GB/T20285规定产烟毒性危险分级ZA2级要求的合格产品。  
The qualified product which is not harmful to human, meeting the regulations of GB/T20285, with toxicity danger classification of smoke by ZA2 grade is used.



### 防火把手 / Fireproof handle

马斯德克钢质防火门标配优质进口五金。  
Mörsdekor fire steel door standard with high quality imported hardware



### 旗式防火铰链 / Flag-type fireproof hinge

持久耐用的加强型合页满足您的防火要求。  
Durable enhanced hinge meets the requirement of fire resistance.

## 防火门 Steel Fire Door

马斯德克所有钢质防火门都通过国家强制性产品认证(3C认证), 公司运营严格执行ISO9001质量管理体系/ISO14001环境管理体系要求, 核心工艺和品质标准全面参照欧盟CE及德国DIN品质标准执行。马斯德克钢质防火门完全满足建筑设计及功能要求, 并以高品质的口碑被广泛应用于建筑公共空间、学校、医院、住宅及公共项目等场所。

Mörsdekor all steel fire door achieves CCC China Compulsory Product certification. The company operates by strict implementation of ISO9001 quality management system / ISO14001 environmental management system. The core technology and quality standard comprehensively refer to the EU CE and Germany DIN quality standards. Steel fire door fully meet the architectural design and functional requirements, and are widely used in building public spaces, schools, hospitals, residential and public projects and other places with high-quality fame.



### 门型参数 / SPEC

|  |                             |
|--|-----------------------------|
| 门框钢板厚度 / Steel panel thickness of door frame | 1.5 / 2.0 mm                |
| 门扇钢板厚度 / Steel panel thickness of door leaf  | 0.8 ~ 0.9 mm                |
| 门扇玻璃厚度 / Glass thickness of visual window    | 30 / 35 mm                  |
| 开门宽度 / Door opening width                    | 800 ~ 2100 mm               |
| 门扇厚度 / The thickness of the door leaf        | 50 / 62 mm                  |
| 防火等级 / Fire rating                           | 甲 / 乙 / 丙级                  |
| 内部填充 / Infill material                       | 防火芯板 / Fire proof materials |
| 单开门 / Single door                            | 1000 × 2300 mm              |
| 双开门 / Double door                            | 2100 × 2300 mm              |
| 门框侧壁宽度 / Frame wall width                    | 120 / 146mm                 |
| 视窗宽度 / Visual window width                   | ≤ 220 mm                    |
| 视窗高度 / Visual window height                  | ≤ 620 mm                    |



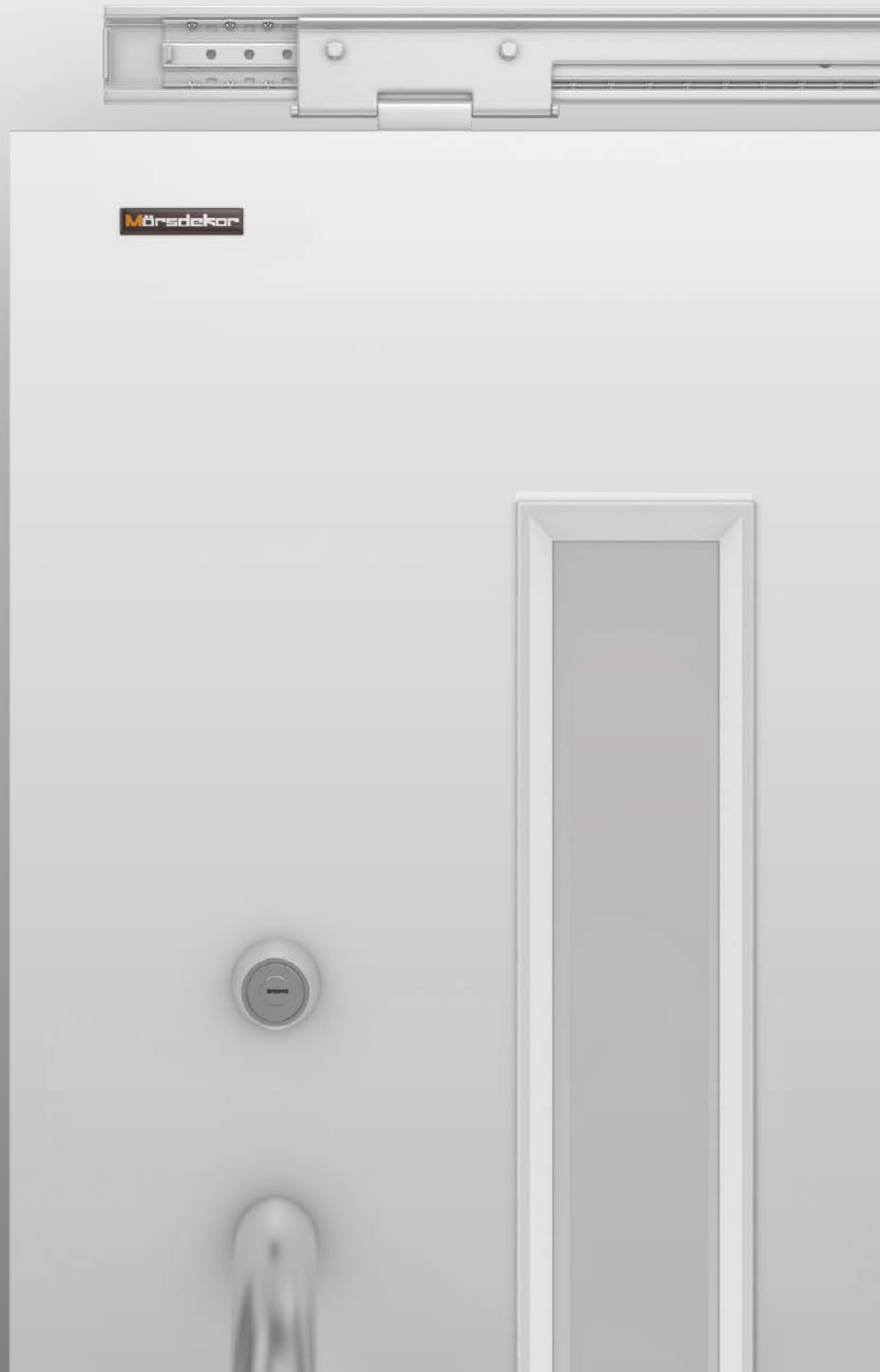


无障碍移门轨道解决方案 —— 滚珠轨道系统

# The Ball Track Sliding System

## 300万次开闭实验

More than 3 million Result Of Open-close Testing



### 滚珠轨道系统特点:

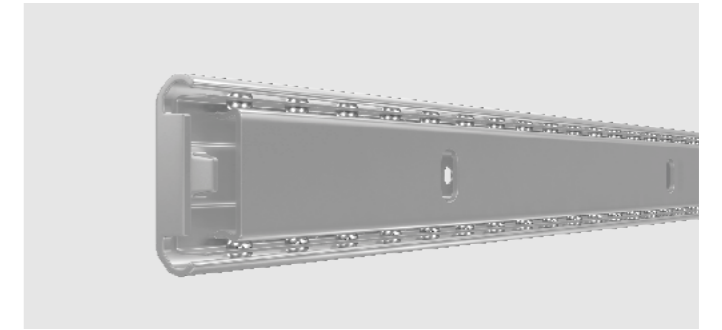
马斯德克引进赫铁公司的滚珠轨道移门系统, 共同开发医疗及健康产业移门系统, 助力中国医院建设绿色发展, 打造中国健康及医疗建设行业人文关怀、舒适、节能、智能化解决方案。

滚珠轨道移门系统的最大的特点, 利用中间的滚珠和凹槽结构, 高精度的滚珠和精细的凹槽, 进行很好的配合。

### Characteristics Of The Roll Ball Track Sliding System:

Morsdekor introduce Kurogane's ball track system and develops sliding door systems for the medical and health industries together, providing Chinese hospitals for construct environment friendly, and forge humanistic-care, comfortable, energy-saving and intelligent solution.

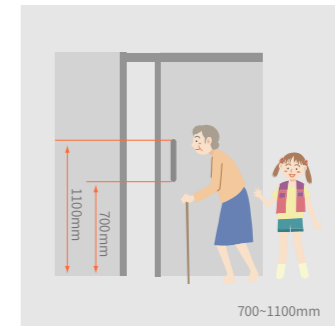
The best advantage of ball track sliding door system is combining intermediate high-precision balls and fine groove structure.



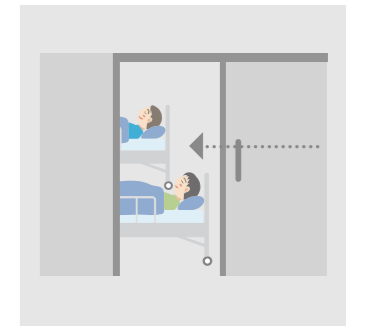
■ 防撞条设计, 冲击缓和。



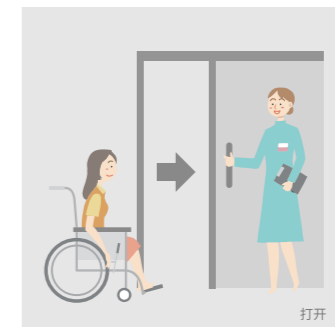
■ 地面无轨道, 进出顺畅。



■ 人性化把手设计, 幼儿、老人、残障人士等都可以轻松自如开启。



■ 关闭缓冲装置, 关闭时无噪音



■ 开启轻松顺滑



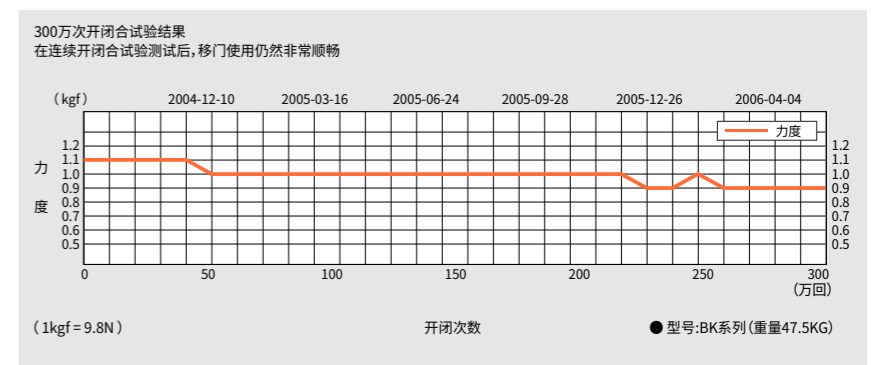
■ 自动关闭设置

### 耐久性检验

滚珠轨道系统最大的特点就是安全耐久性, 到现在为止, 产品已经经过300万次的开闭实验, 预计可达到50年的使用寿命

### Durability testing

The best advantage of roll ball track sliding system is safety and durability. So far, the product has been tested for 3 million times of closing and opening. It can be expected to reach 50 years of service time.



# 无障碍移门轨道解决方案 —— 磁悬浮轨道系统 Linear Support System



## 磁悬浮轨道系统特点 / Characteristics Of Linear Support System:

### 启动辅助

只需很小的力轻触门扇拉开两公分，平移门扇就能够非常便利的自动开闭，磁悬浮系统的无摩擦运行使静音效果良好，特别是针对那些身体有障碍的人士，使用非常方便。

#### Starting Assistance

Only very little force is needed to touch door leaf to open by 2cm, the sliding door is able to be automatically and conveniently opened and closed. The linear support system's frictionless operation makes for good mute, especially it is quite convenient for personnel with disorder.



### 全开模式

全开后，轻按住停留3秒，门扇即可保持全开状态，当需要关闭的时候，只需轻轻回拉2公分，即可自动关闭，保持全闭状态。

#### Full-open Mode

After it is fully opened, press for 3 minutes, the door leaf can keep fully opened state. When it is needed to be closed, it is required to slightly pull back by 2cm, it can be automatically closed, keeping full closed state.

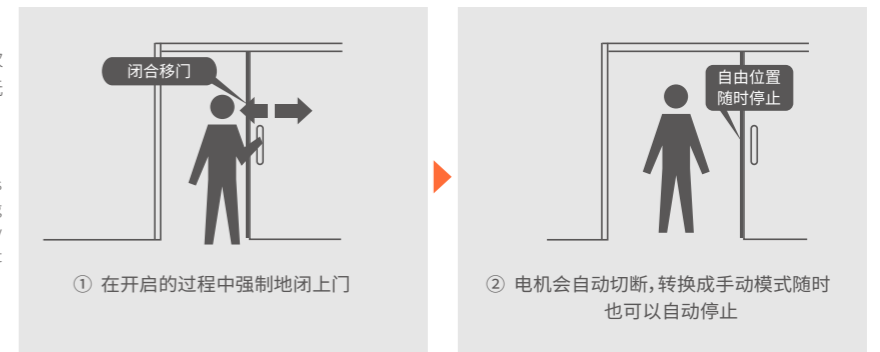


### 记忆识别功能

通过辅助系统，在门扇再次开闭运行过程中到达前次停留或障碍相同位置时会作短暂识别性停留，确保无障碍后继续运行。

#### Memory Recognition Function

When the doors reach the same locations as the previous stop or obstacles during the re-opening and closing operation, the auxiliary system will make a temporary identification, to ensure there is no obstacle before it continues to operate.

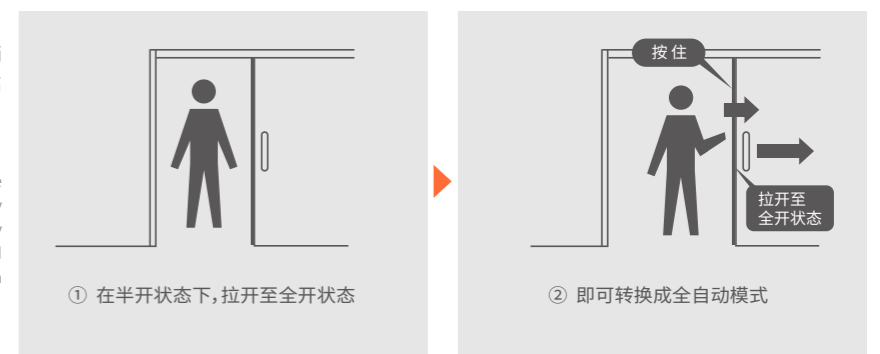


### 半开模式

通过辅助系统，在开闭过程中，用手轻握门扇拉手稍作停留，门扇即可以停留在任意位置，保证空间的高效节能，当不需要停留时，轻触门扇即可自动继续。

#### Half-open Mode

During the opening and closing process, gently grasp the door handle with hands and have a short time of stay through the auxiliary system, the doors can stay in any position to ensure that the space is efficient and energy-saving; when it is not required to stay, gently touch the door to automatically continue.

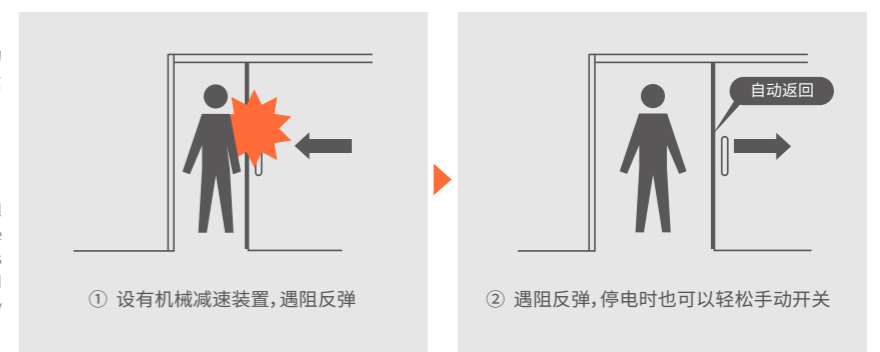


### 防夹安全

当碰到人或障碍物的时候，门扇轻触人或物后会反向运行，避免发生意外事故。全封闭磁悬浮机组，高耐久使用性能，基本无需日常维护保养，停电状态下，轻松利用手动关闭来应对任何使用环境。

#### Anti-clamping Security

When touching a person or an obstacle, the door will automatically run reversely to avoid the accidents. With the full-closed maglev unit, high durability performance, it is basically not required to have routine maintenance and repair; under the power failure condition, you can manually close it to adapt to any operating environment.

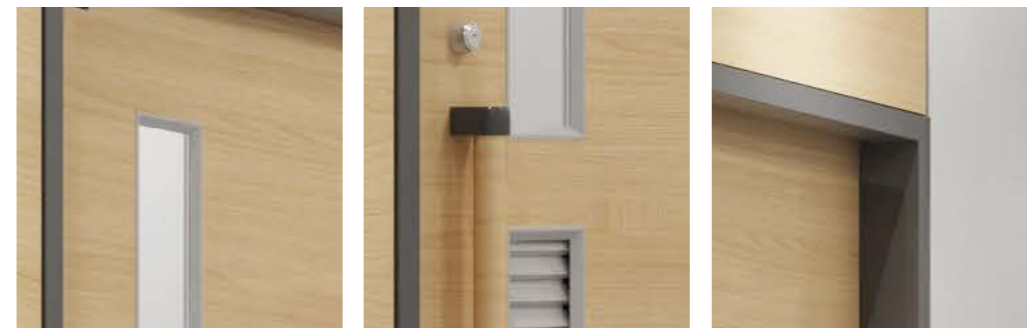






## BK系列 — 内藏式移门

## BK Series — Sliding Door



### 产品特性

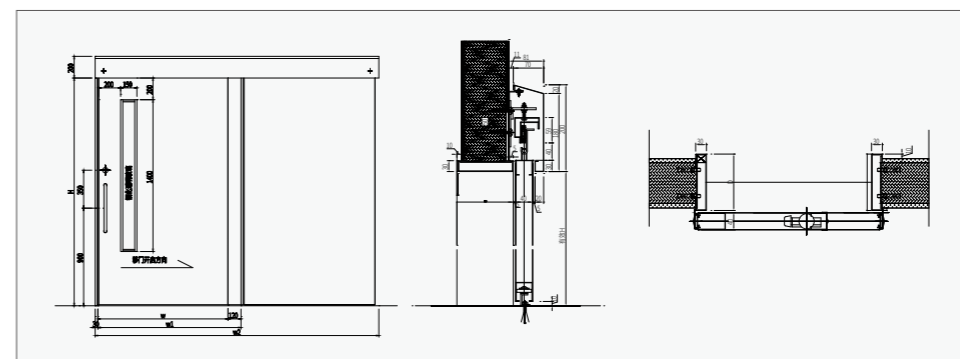
- 适用于病房、诊疗室。
- 防止人员对门体的接触, 减少感染机率。
- 带有防夹功能, 遇阻反弹功能, 提高通行效率。
- 智能环保, 有效降低能源消耗, 实现不同区域空气阻隔。
- 方便老弱病残等行动不便者出入, 提高医护人员开门的便利性, 减少门体损坏。

### Product Features

- It applies to the wards and treatment rooms.
- It can prevent personnel from contact with the door, to reduce the infections.
- With the anti-clamping functions, it has the rebound functions to enhance the passing efficiency.
- Intelligent, environmentally-friendly, effectively reduce the energy consumption to achieve the air barrier at different regions.
- Provide convenience for the elderly and the disabled to access, and facilitate the medical staffs to open the doors and reduce damage to the door.

### 门型参数 / SPEC

|  |  |
|--|--|
| 门框钢板厚度 / Steel panel thickness of door frame             | 1.5 mm   |
| 门扇钢板厚度 / Steel panel thickness of door leaf              | 0.7 mm   |
| 门扇厚度 / Thickness of the door leaf                        | 40 ~ 50 mm   |
| 门扇骨架厚度 / Thickness of the door leaf frame                | ≥ 1.0 mm   |
| 开闭门运行速度 / Operating speed ( opening / closing the door ) | 250 ~ 500 mm/s (可调)                                  |
| 手动推力 / Manual thrust                                     | < 100 N  |
| 供电要求 / Power supply requirement                          | 220 ± 20% VAC, 50 / 60Hz                             |
| 控制器 / Controller   | 可选配驱动感应器   |
| 隔声性能 / Sound insulation performance                      | Rw = 33 dB 三级 (GB / T8485-2008)                      |
| 防撞性能 / Anti-collision performance                        | 符合GB / T20909-2007                                   |
| 保温性能 / Thermal insulation performance                    | 传热系数K = 2.8W / (m <sup>2</sup> .k) 五级                |
| 内部填充 / Infill material                                   | 聚氨酯发泡材料、蜂窝芯 / Optional drive sensor, Honeycomb paper |
| 单开门MAX / Single door MAX (mm)                            | 1250×2500 mm   |
| 双开门MAX / Double door MAX (mm)                            | 2500×2500 mm   |
| 可选视窗 / Optional window                                   | 圆形、方形玻璃视窗 / Round, square glass window               |





## E系列 — 外挂式移门 E Series — Sliding Door



### 产品特性

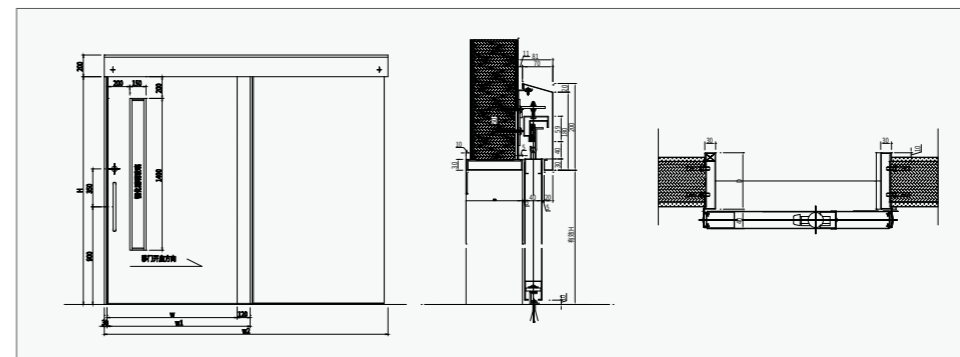
- 适用于病房、诊疗室。
- 外挂安装方式，动力梁及门扇外挂于墙体表面，安装简便快捷。
- 防止人员对门体的接触，减少感染机率。
- 带有防夹功能，遇阻反弹功能，提高通行效率。
- 方便老弱病残等行动不便者出入，提高医护人员开门的便利性，减少门体损坏。

### Product Features

- Apply to wards and treatment rooms.
- Plug-in installation; the power beams and doors are externally hung on the wall surface, easy to install.
- Prevent contact with the door and reduce the risks of infections.
- With the anti-clamping functions, it has the rebound functions to enhance the passing efficiency.
- Provide convenience for the elderly and the disabled to access, and facilitate the medical staffs to open the doors and reduce damage to the door.

### 门型参数 / SPEC

|  |  |
|--|--|
| 门框钢板厚度 / Steel panel thickness of door frame           | 1.5 mm   |
| 门扇钢板厚度 / Steel panel thickness of door leaf            | 0.7 mm   |
| 门扇厚度 / Thickness of the door leaf                      | 40 ~ 50 mm   |
| 门扇骨架厚度 / Thickness of the door leaf frame              | ≥ 1.0 mm   |
| 开闭门运行速度 / Operating speed (opening / closing the door) | 250 ~ 500 mm/s (可调)                                  |
| 手动推力 / Manual thrust                                   | < 100 N  |
| 供电要求 / Power supply requirement                        | 220 ± 20% VAC, 50 / 60Hz                             |
| 控制器 / Controller                                       | 可选配驱动感应器   |
| 隔声性能 / Sound insulation performance                    | Rw = 33 dB 三级 (GB / T8485-2008)                      |
| 防撞性能 / Anti-collision performance                      | 符合GB / T20909-2007                                   |
| 保温性能 / Thermal insulation performance                  | 传热系数K = 2.8W / (m <sup>2</sup> .k) 五级                |
| 内部填充 / Infill material                                 | 聚氨酯发泡材料、蜂窝芯 / Optional drive sensor, Honeycomb paper |
| 单开门MAX / Single door MAX (mm)                          | 1250 × 2500 mm                                       |
| 双开门MAX / Double door MAX (mm)                          | 2500 × 2500 mm                                       |
| 可选视窗 / Optional window                                 | 圆形、方形玻璃视窗 / Round, square glass window               |

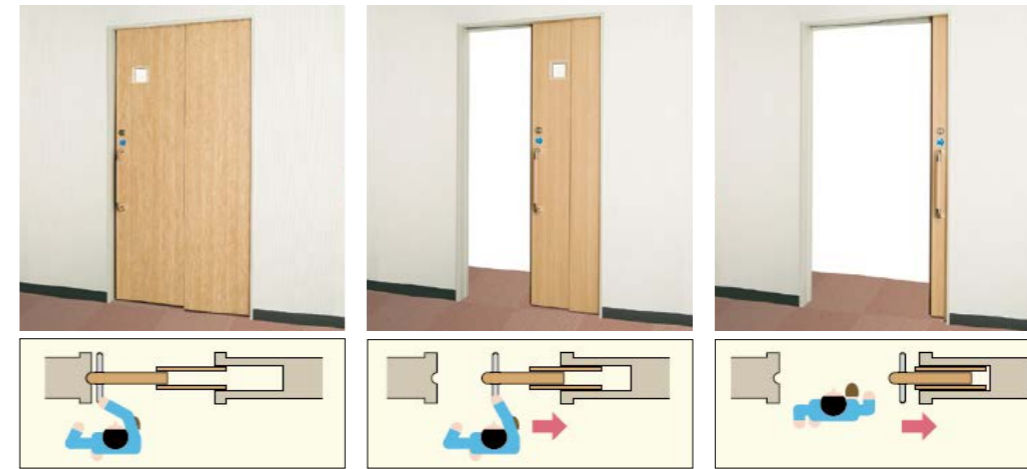






## BWA系列 — 二联式移门

# BWA Series — Two Linkage Sliding Door



### 产品特性

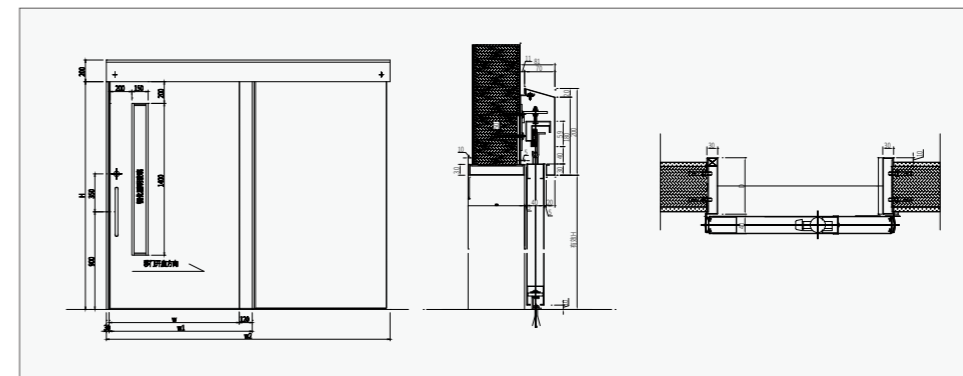
- 在建筑墙体门洞宽度尺寸有限的前提下，二联式的移门，可轻松实现更大的有效通过宽度。
- 采用轻量化的壁挂式双层金属夹板设计，进出顺畅、不积尘、卫生、方便清洁。
- 移门关闭过程中，双层夹板通过联动机构同时平移运行，与门板一起整齐的嵌入墙体夹层，使建筑整体效果更加简洁、流畅，一气呵成。
- 自动闭门功能，末端缓冲装置，全开开门，天地门锁等功能。
- 斜面式样视窗，不积尘、卫生、方便清洁。

### Product Features

- The two linkage sliding doors can easily achieve greater effective passing width when the size of the building wall opening of the door is limited.
- With lightweight wall-mounted double-layer metal splint design, it can achieve smooth access, free of dust, clean and easy to clean.
- During the closing, the double-layer splints of the sliding door can move transversely simultaneously through the linkage mechanism, and insert into the wall sandwich layer with door panel, to make the overall effect of the building more simple and smooth.
- With automatic closing function, the buffer devices at the end can help stop door in full-opened state, etc..
- Oblique style window, free of dust, easy to clean.

### 门型参数 / SPEC

|  |  |
|--|--|
| 门框钢板厚度 / Steel panel thickness of door frame           | 1.5 mm   |
| 门扇钢板厚度 / Steel panel thickness of door leaf            | 0.7 mm   |
| 门扇厚度 / Thickness of the door leaf                      | 40 ~ 50 mm   |
| 门扇骨架厚度 / Thickness of the door leaf frame              | ≥ 1.0 mm   |
| 开闭门运行速度 / Operating speed (opening / closing the door) | 250 ~ 500 mm/s (可调)                                  |
| 手动推力 / Manual thrust                                   | < 100 N  |
| 隔声性能 / Sound insulation performance                    | Rw = 33 dB 三级 (GB / T8485-2008)                      |
| 防撞性能 / Anti-collision performance                      | 符合GB / T20909-2007                                   |
| 保温性能 / Thermal insulation performance                  | 传热系数K = 2.8W / (m <sup>2</sup> .k) 五级                |
| 内部填充 / Infill material                                 | 聚氨酯发泡材料、蜂窝芯 / Optional drive sensor, Honeycomb paper |
| 单开门MAX / Single door MAX (mm)                          | 1250 × 2500 mm                                       |
| 可选视窗 / Optional window                                 | 圆形、方形玻璃视窗 / Round, square glass window               |





# 设备子母系列 Multifunctional Unequal Leaf Sliding Door

## 全门扇开启通行



### 产品特性

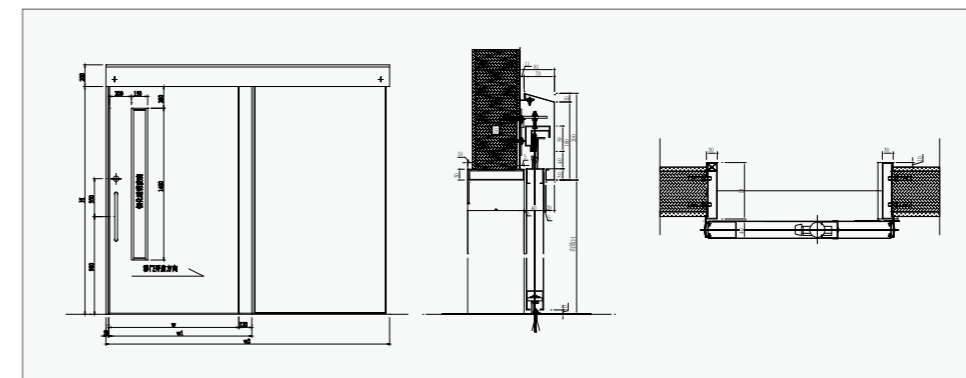
- 适合建筑空间狭小，开门半径有限，同时也要实现较大有效通过宽度的特殊要求，人员进出时常开的母门板宽度变小，只需很小的力即可轻松开门，同时兼具自动闭门，末端缓冲，全开停门等功能。
- 平移开启方式减少空间占用，特殊需要时打开子门扇达到更大限度的通行要求，子门厚度与墙体同厚，增加视觉整体效果，同时在子门扇表面位置可加入呼叫系统、信息标示系统、消毒液体等，方便患者需要的同时也让医护人员工作更加便利。

### Product Features

- It is suitable for small building space and limited door radius, to achieve greater effective width for passing. When access, the normally-open door width becomes small, and you can open the door gently, at the same time, it has the functions of automatic door closing, end buffering and full-open and door stop, etc..
- The sliding opening way can reduce the space occupied; when required, open the sub-door to achieve greater access requirements that the thickness of the sub-door is the same as the wall body, increase the overall visual effect, in addition, the call system, information labeling system, disinfection liquid can be added at the position of the sub-door surface, to facilitate patients and the medical staffs.

### 门型参数 / SPEC

|  |  |
|--|--|
| 门框钢板厚度 / Steel panel thickness of door frame           | 1.5 mm   |
| 门扇钢板厚度 / Steel panel thickness of door leaf            | 0.7 mm   |
| 门扇厚度 / Thickness of the door leaf                      | 40 ~ 50 mm   |
| 门扇骨架厚度 / Thickness of the door leaf frame              | ≥ 1.0 mm   |
| 开闭门运行速度 / Operating speed (opening / closing the door) | 250 ~ 500 mm/s (可调)                                  |
| 手动推力 / Manual thrust                                   | < 100 N  |
| 隔声性能 / Sound insulation performance                    | Rw = 33 dB 三级 (GB / T8485-2008)                      |
| 防撞性能 / Anti-collision performance                      | 符合GB / T20909-2007                                   |
| 保温性能 / Thermal insulation performance                  | 传热系数K = 2.8W / (m <sup>2</sup> .k) 五级                |
| 内部填充 / Infill material                                 | 聚氨酯发泡材料、蜂窝芯 / Optional drive sensor, Honeycomb paper |
| 单开门MAX / Single door MAX (mm)                          | 1250 × 2500 mm                                       |
| 可选视窗 / Optional window                                 | 圆形、方形玻璃视窗 / Round, square glass window               |







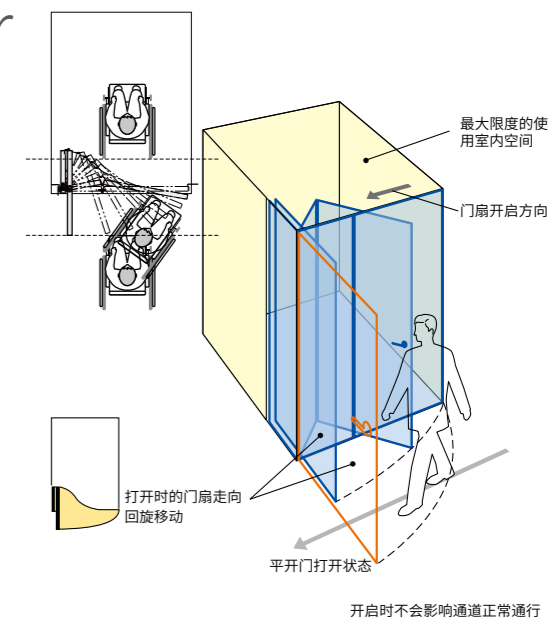
# FDP系列 — 无障碍折叠门

## FDP Series — Folding Door

### 紧急状况下的全门开启



紧急救助功能: 特殊情况时使用铅笔等物品轻松触动门楣下口的安全销, 即可将门扇及上框整体全部反向打开, 实现救助功能。



### 产品特性

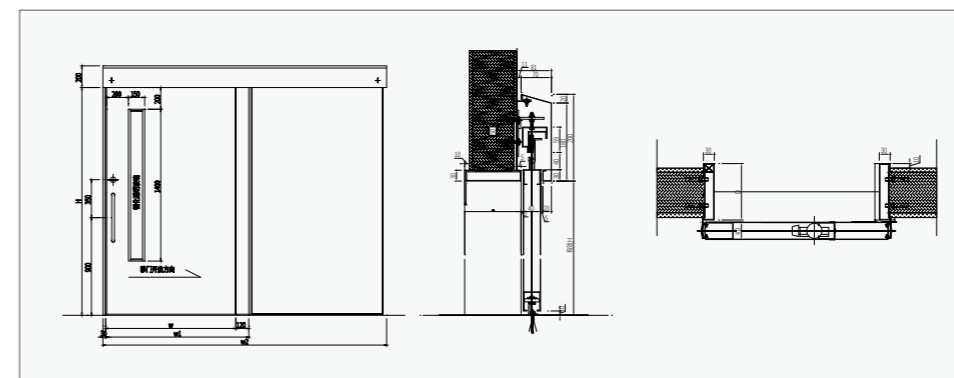
- 特制金属通长合页, 美观、性能可靠并兼具安全防夹功能。
- 闭门缓冲装置、全开停门、门锁装置, 无地面外装轨道, 方便通行。
- 紧急救助功能: 特殊情况时使用铅笔等物品轻松触动门楣下口的安全销, 即可将门扇及上框整体全部反向打开, 实现救助功能。
- 适用于盥洗室或空间有限的场所, 提高出入空间利用率。

### Product Features

- Special metal hinge, with beautiful, reliable performance and safety anti-clamping functions.
- With the closed-door buffer device, door stop under full-opened state and door lock device, it has no ground track installation and easily accesses.
- Emergency function: Under special circumstances, by easily touching the safety pin below the lintel with a pencil, you can open the door and the whole frame reversely, to achieve the salvation.
- Apply to the bathrooms or places with restricted space, improve access to the space utilization.

### 门型参数 / SPEC

|  |  |
|--|--|
| 门框钢板厚度 / Steel panel thickness of door frame | 1.5 mm   |
| 门扇钢板厚度 / Steel panel thickness of door leaf  | 0.7 mm   |
| 门扇厚度 / Thickness of the door leaf            | 40 ~ 50 mm   |
| 门扇骨架厚度 / Thickness of the door leaf frame    | ≥ 1.0 mm   |
| 手动推力 / Manual thrust                         | < 100 N  |
| 隔声性能 / Sound insulation performance          | Rw = 33 dB 三级 (GB / T8485-2008)                      |
| 防撞性能 / Anti-collision performance            | 符合GB / T20909-2007                                   |
| 保温性能 / Thermal insulation performance        | 传热系数K = 2.8W / (m <sup>2</sup> .k) 五级                |
| 内部填充 / Infill material                       | 聚氨酯发泡材料、蜂窝芯 / Optional drive sensor, Honeycomb paper |
| 单开门MAX / Single door MAX (mm)                | 1250 × 2500 mm                                       |
| 可选视窗 / Optional window                       | 圆形、方形玻璃视窗 / Round, square glass window               |





# 平开病房门、诊疗室门 Steel Door For Ward / Clinic



## 产品特性

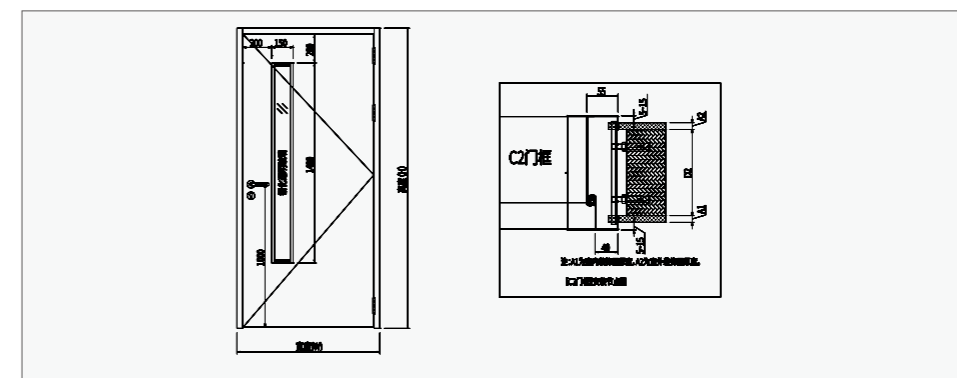
- 门框采用一次成型的一体式结构, 45度角对拼连接。
- 门板面材三面互相咬合结构, 在保证门扇外观平顺挺括的同时充分保证门扇的粘结强度。
- 门扇单侧外装盖缝板结构, 在保证门扇整体效果的同时嵌入式气密材料充分实现隔音密封。
- 斜面型材视窗, 单侧斜面PVC胶条, 实现美观的同时方便日常卫生清洁维护。
- 材质为环保镀锌钢板, 表面阿克苏聚酯涂层, 抗污, 绿色环保。具有保温、隔声、防潮、便于清洗等特点。

## Product Features

- The door frame is a formed, integrated structure, and it is connected at an angle of 45°.
- The door panel material is a three-side occlusal structure, which can fully ensure the bond strength of the door while ensuring the smooth appearance.
- A cover-strip plate structure is installed on one side of the door, ensuring the overall effect of the door; and the embedded airtight materials can fully achieve the soundproof and sealing effect.
- The bevel profile window and single-sided slant PVC strips can achieve aesthetic appearance and facilitate daily cleaning and maintenance.
- The door material is environmentally friendly galvanized steel sheet, with the Akzo polyester coating, it can resist dirt, greening and environmentally friendly. It has the features of thermal insulation, sound insulation, moisture proof and easy to clean, etc..

## 门型参数 / SPEC

|  |  |
|--|--|
| 门框钢板厚度 / Steel panel thickness of door frame | 1.5 mm   |
| 门扇钢板厚度 / Steel panel thickness of door leaf  | 0.6 mm   |
| 门扇厚度 / Thickness of the door leaf            | 40 ~ 50 mm   |
| 门扇骨架厚度 / Thickness of the door leaf frame    | ≥ 1.0 mm   |
| 手动推力 / Manual thrust                         | < 100 N  |
| 隔声性能 / Sound insulation performance          | Rw = 33 dB 三级 (GB / T8485-2008)                      |
| 防撞性能 / Anti-collision performance            | 符合GB / T20909-2007                                   |
| 保温性能 / Thermal insulation performance        | 传热系数K = 2.8W / (m <sup>2</sup> .k) 五级                |
| 气密性能 / Air tightness                         | 符合GB / T7106-2008                                    |
| 内部填充 / Infill material                       | 聚氨酯发泡材料、蜂窝芯 / Optional drive sensor, Honeycomb paper |
| 单开门MAX / Single door MAX (mm)                | 1250 × 2500 mm                                       |
| 双开门MAX / Double door MAX (mm)                | 2500 × 2500 mm                                       |
| 可选视窗 / Optional window                       | 圆形、方形玻璃视窗 / Round, square glass window               |







# 盥洗室门 Steel Door For Toilet



## 产品特性

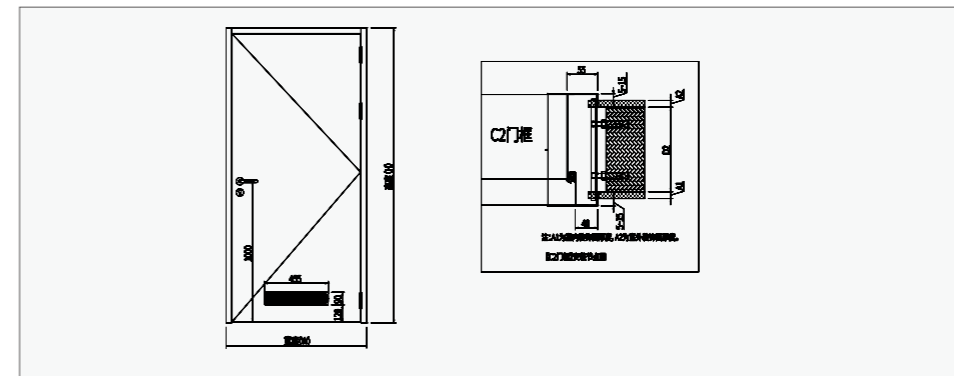
- 门框可采用单、双槽一体式结构, 满足各种环境不同的需求。
- 可选配独有的人字型通风百叶窗, 保持环境空气的流通。
- 表面阿克苏聚酯涂层或GIS木纹饰面, 抗污、绿色环保。具有保温、隔声、防潮、便于清洗等特点。
- 门扇内填充高强度蜂窝与发泡固化胶水的粘合, 使门体坚固且轻便灵活, 并隔绝潮湿空气的锈蚀。

## Product Features

- The door frame can be single, double slot integrated structure to meet the needs of different environments.
- Optional unique "人" shaped ventilation blinds, to maintain the flow of ambient air.
- The Akzo polyester coating or GIS wood grain finishes can resist dirt, greening and environmentally friendly. It has the features of thermal insulation, sound insulation, moisture proof and easy to clean, etc..
- The door is filled with high-strength honeycomb to bond with foam curing adhesive, to make the door firm, lightweight and flexible, and completely isolated from caused by moist air corrosion.

## 门型参数 / SPEC

|  |  |
|--|--|
| 门框钢板厚度 / Steel panel thickness of door frame | 1.5 mm   |
| 门扇钢板厚度 / Steel panel thickness of door leaf  | 0.7 mm   |
| 门扇厚度 / Thickness of the door leaf            | 40 ~ 50 mm   |
| 门扇骨架厚度 / Thickness of the door leaf frame    | ≥ 1.0 mm   |
| 手动推力 / Manual thrust                         | < 100 N  |
| 隔声性能 / Sound insulation performance          | Rw = 33 dB 三级 (GB / T8485-2008)                      |
| 防撞性能 / Anti-collision performance            | 符合GB / T20909-2007                                   |
| 保温性能 / Thermal insulation performance        | 传热系数K = 2.8W / (m <sup>2</sup> .k) 五级                |
| 内部填充 / Infill material                       | 聚氨酯发泡材料、蜂窝芯 / Optional drive sensor, Honeycomb paper |
| 单开门MAX / Single door MAX (mm)                | 1250 × 2500 mm                                       |







## 金属墙板 Steel Cladding



马斯德克金属墙板可充分实现墙体和吊顶一体化的完美结合,使墙面装饰线条与吊顶面线条一气呵成,从建筑空间设计色彩的整体性,到墙板立面和吊顶平面完美对接的协调统一,从面层质感及材料表现,到空间系统的无色差和材料格调的和谐,马斯德克金属墙板全面展现了整体的设计风格。

### Steel Cladding

Mörsdekor metal cladding realizes the perfect combination of wall and suspended ceiling to show the fluent lines from wall to ceiling surface. It shows the integral design style comprehensively from the integrity of architectural space colors to perfect coordination of wall panel elevation and ceiling surface, and from expression of quality and material of the surface to harmony of color of space system and material patterns.

### “ 马斯德克金属墙板特点

马斯德克金属墙板具有墙体重量轻、建筑负荷小、安装便捷、可拆卸重复使用、节能环保、节约成本等特点。同时坚固、耐震、阻燃、断热、隔音等优越的空间性能表现。

马斯德克金属板墙采用宝钢双面热镀锌钢板,由进口数控加工中心一次折弯成型,表面荷兰AkzoNobel聚酯涂层,可根据环境需要采用抗菌防污涂层或GIS木纹饰面,有效防止细菌滋生和提高饰面质感。

### “ Features of Mörsdekor Metal Cladding

Being light for low building load, easy to install, dismantlable for repeat of use, energy-saving, environmental and cost-saving, it also features durable, shock-proof, inflaming retarding, heat-insulated and sound insulated.

Mörsdekor metal cladding is made of Baosteel double-size hot-galvanized steel plate that is bended once by imported numerical control processing center and coated by AkzoNebel (Hotland) polyester coating. Furthermore, antibacterial antifouling coating or GIS wood-grain finishing can also be selected according to requirement of environment, to prevent growth of bacteria and make finishing good looking.





# 单面金属墙板 Single Metal Cladding

编号: ZL 2012 2 0197411.0



## 产品特性

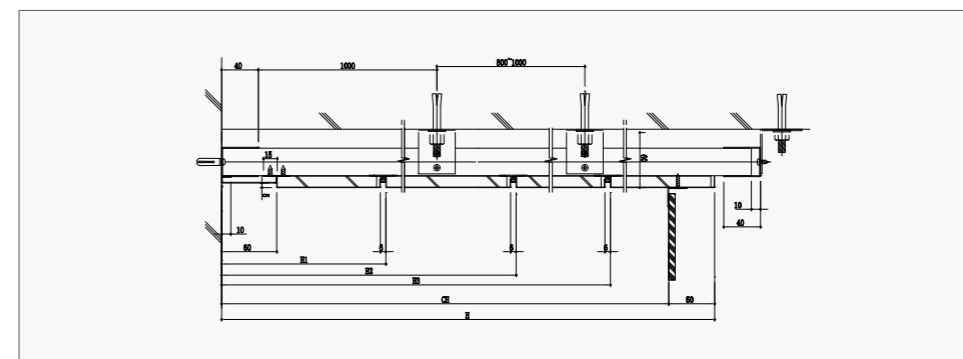
- 墙体重量轻, 建筑荷载小, 有效增加建筑使用面积。
- 可拆卸重复使用, 便于用户维修、改建、节约成本。
- 坚固、抗震、不燃、断热、隔音满足现代建筑装饰要求。
- 墙体与建筑墙面之间留有指定的间距, 满足配管、配线。
- 拥有多项国家专利技术的产品可以有效保证墙板的平整度。
- 多种可选色系防护喷涂、抗菌喷涂, 木纹饰面等满足各种场所要求。
- 安装简便, 完工即可迁入办公, 不污染环境, 无废料产生, 环保节能。

## Product Features

- Light wall weight and small building load, effectively increase the building area.
- It is removable for re-use, to facilitate users to repair and alter, and save their costs.
- Being firm, vibration proof, non-flammable, noise-proof can meet the requirements of modern architectural decoration.
- A specified spacing is reserved between the wall and building wall, to meet the requirements for piping and wiring.
- National patented technology product can ensure the smoothness of the wall panels effectively.
- A variety of color protection coating, antibacterial coating, wood veneers are available to meet the requirements of various places.
- Easy to install, and immediately work after completion, without environmental pollution or wastes generated, environmentally friendly and energy-saving.

## 门型参数 / SPEC

|                                   |  |
|-----------------------------------|--|
| 表面材料 / Surface material           | 0.7 mm 镀锌钢板 / galvanized steel sheet           |
| 背衬材料 / Backing material           | 12 mm 石膏板、瓦楞板 / gypsum board, corrugated board |
| 标准厚度 / Standard thickness         | 13 mm  |
| 最大尺寸 / Maximum size               | 1200×2950 mm                                   |
| 防撞性能 / Anti-collision performance | 符合GB / T214155-2008                            |
| 防火等级 / Fire rating                | A级 (GB8624-2012)                               |
| 单元缝隙 / Cell gap                   | 14 / 6   |
| 安装成本 / Installation Cost          | 较低 / Lower                                     |







# 双面金属墙板 Double Metal Cladding

编号: ZL 2012 2 0197411.0



## 产品特性

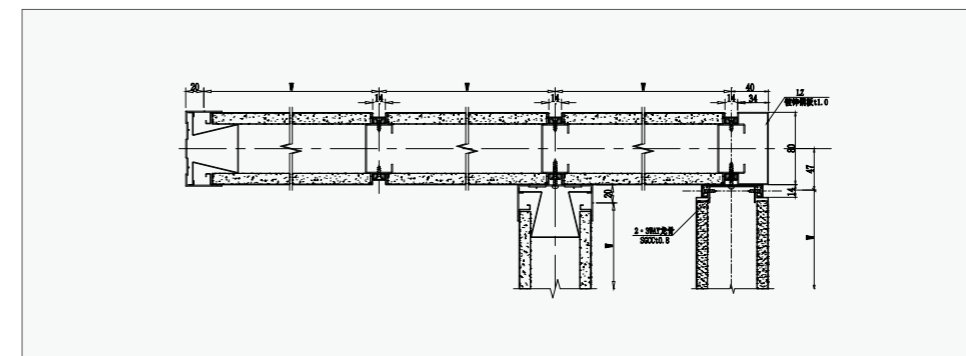
- 运用纵横线条形成多样化的组合, 可随意调整布局。
- 可拆卸重复使用, 便于用户维修、改建、节约成本。
- 坚固、抗震、不燃、断热、隔音满足现代建筑装饰要求。
- 完工即可迁入办公, 不污染环境, 无废料产生, 环保节能。
- 80mm厚双面隔断内设间距不小于50mm夹层, 满足配管、配线。
- 多种可选色系防护喷涂、抗菌喷涂, 木纹饰面等满足各种场所要求。

## Product Features

- A variety of combination of vertical and horizontal lines can adjust the layout feely.
- It is removable for re-use, to facilitate users to repair and alter, saving their costs.
- Being firm, vibration proof, non-flammable, noise-proof can meet the requirements of modern architectural decoration.
- Immediately start work after completion, without environmental pollution or wastes generated, environmentally friendly and energy-saving.
- A sandwich (no less than 50 mm) is arranged in 80mm thick double-sided partition, to meet the requirements for piping and wiring.
- A variety of color protection coating, antibacterial coating, wood veneers are available to meet the requirements of various places.

## 门型参数 / SPEC

|                                     |  |
|-------------------------------------|--|
| 表面材料 / Surface material             | 0.7 mm 镀锌钢板 / galvanized steel sheet           |
| 背衬材料 / Backing material             | 12 mm 石膏板、瓦楞板 / gypsum board, corrugated board |
| 标准厚度 / Standard thickness           | 13 mm  |
| 最大尺寸 / Maximum size                 | 1200×2950 mm                                   |
| 隔声性能 / Sound insulation performance | Rw = 50dB                                      |
| 防撞性能 / Anti-collision performance   | 符合GB / T214155-2008                            |
| 防火等级 / Fire rating                  | A级 (GB8624 - 2012)                             |
| 单元缝隙 / Cell gap                     | 14 / 6   |
| 安装成本 / Installation Cost            | 较低 / Lower                                     |







## 玻璃隔断 & 组合隔断

编号: ZL 2012 2 0197411.0

# Glass Partition & Combination Partition

### 产品特性

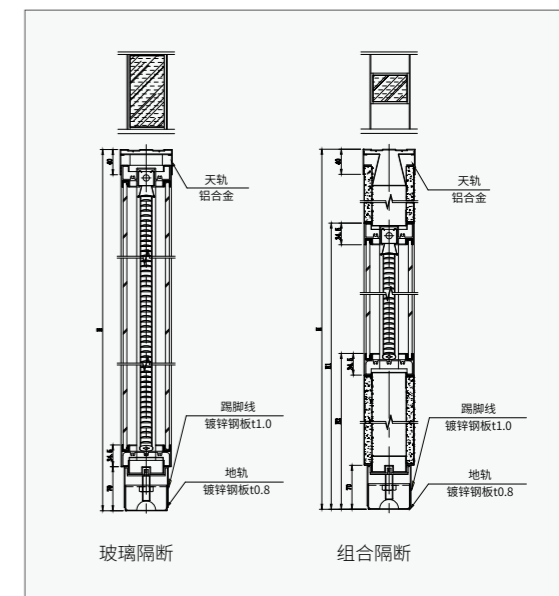
- 一个系统多种组合;一次投入,循环使用。
- 可拆卸重复使用,便于用户维修、改建,节约成本。
- 针对不同环境以及客户要求可提供多样变化的模块组合。
- 完工即可迁入办公,不污染环境,无废料产生,环保节能。
- 80mm厚双面隔断内设间距不小于50mm夹层,满足配管、配线。
- 高强度的钢材和铝型材以及科学的结构确保产品坚固,满足装饰要求。
- 多种颜色防护涂装、抗菌涂装、木饰面等表面特殊处理满足各种场所需求。
- 可以随意调整布局,运用纵横线条可形成多样化的组合,在保证环境通透的同时又兼顾私密必要的私密性。

### Product Features

- A variety of combination for one system can be recycled with one-time investment.
- It is removable for re-use, to facilitate users to repair and alter and save their costs.
- A variety of module portfolios are provided for different environments and customer requirements.
- Immediately start work after completion, without environmental pollution or wastes generated but environmentally friendly and energy-saving.
- A sandwich (no less than 50 mm) is arranged in 80mm thick double-sided partition, to meet the requirements for piping and wiring.
- High-strength steel and aluminum profiles, as well as scientific structure can ensure that products are strong, to meet the decorative requirements.
- A variety of color protection coating, antibacterial coating, wood veneers are available to meet the requirements of various places.
- The layout can be freedom adjusted and form a variety of combinations, at the same time; it guarantees the transparency of the environment and the necessary privacy of privacy.

### 门型参数 / SPEC

|                                      |                  |
|--------------------------------------|------------------|
| 表面材料 / Surface material              | 钢化玻璃 / Glass     |
| 玻璃厚度 / Glass thickness               | 6 ~ 8 mm         |
| 标准厚度 / Standard thickness            | 80 ~ 100 mm      |
| 钢板厚度 / Steel plate thickness         | 0.7 mm           |
| 铝型材厚度 / Aluminum thickness           | t1.5 ~ t2.5      |
| 墙板最大尺寸 / Maximum size of wall panels | 1200 × 2950 mm   |
| 玻璃最大尺寸 / Glass maximum size          | 1200 × 2950 mm   |
| 防火等级 / Fire rating                   | A级 (GB8624-2012) |
| 安装成本 / Installation Cost             | 较低               |







## 金属吊顶 Steel Ceiling



我们针对不同场所的功能性, 结合多年实践经验, 划分了各种适用的可定制金属异形天花产品系列, 方便客户选择和应用。丰富的产品造型不仅帮助设计师和业主完美实现设计构想, 更满足实际功能需求。

### Steel Ceiling

With years of practical experience, we divide kinds of applicable customizable abnormal metal ceiling product series for different space functions. The abundant product shapes help designer to realize design concept, and meet function requirements.

### “ 马斯德克金属吊顶特点

马斯德克金属吊顶系统可提供专业的顶面解决方案, 可满足现代室内环境不同的功能要求。马斯德克天花板具有优良的吸音降噪功能, 同时兼备防潮、耐摩擦、可擦洗、防污等功能。

### “ Features of Mörsdekor Metal Ceiling

Mörsdekor metal ceiling system provides professional ceiling solutions that meet different function requirements of indoor environment. Mörsdekor ceiling features excellent sound absorption and noise reduction, damp resistance, friction resistance, washable performance and antifouling performance, etc.





## 金属吊顶 — 金属复合板

编号: ZL 2012 2 0197411.0

# Metal Ceiling — Metal Composite Board



### 产品特性

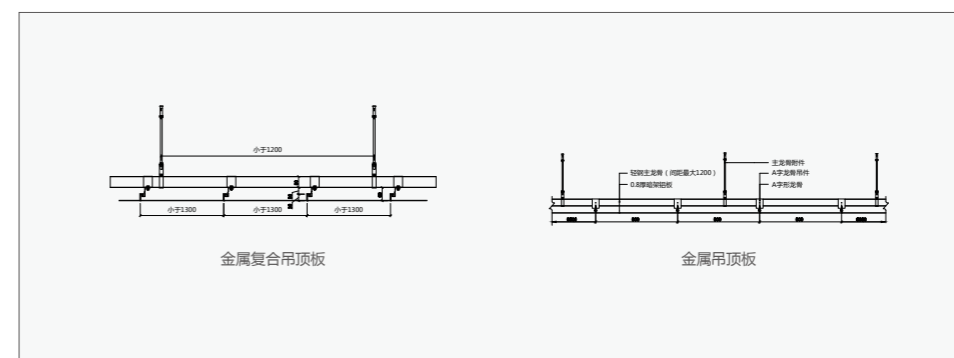
- 外观精细, 立体感强。
- 瓦楞导胶槽结构, 使复合更加牢固。
- 可做成瓦楞复合、蜂窝复合使面板更加平整。
- 当有吸音要求时, 进行冲孔处理, 达到吸音效果。
- 室内环境明亮通透、优雅宜人, 令病人心情舒畅。
- 防污渍, 易于清洗, 湿布清洁后, 表面依然光洁如初。
- 高强度、高平整度, 适合大面积使用, 美观大方, 装饰效果时尚。
- 工厂标准化生产的板材, 安装方便快捷, 色泽均匀一致, 经久耐用。
- 制造、安装过程中所使用的涂料、内外填充物等均绿色环保, 避免二次污染。

### Product Features

- Fine appearance and strong three-dimensional sense.
- Corrugated plastic groove structure is to make more firm.
- It can be made into corrugated, honeycomb compositions to make the panel smoother.
- To meet the sound-absorbing requirements, conduct punching to achieve the effect.
- Indoor environment is bright and transparent, elegant and pleasant, so that patients feel comfortable.
- It can resist stains and can be easy to clean; after cleaning with wet cloth, its surface is still smooth as ever.
- High strength and high flatness are suitable for large area use, with nice and fashionable decoration effect.
- The sheet metals produced according to factory standard are easy to install, with uniform color and durable.
- The paints and fillers used in the manufacture, installation process are green and environmentally friendly to avoid secondary pollution.

### 门型参数 / SPEC

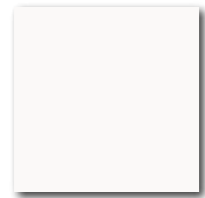
|                                     |                             |
|-------------------------------------|-----------------------------|
| 表面处理 / Surface treatment            | 聚酯喷涂                        |
| 耐用度 / Durable degree                | 15 年                        |
| 降噪系数 / NRC                          | 0.75                        |
| 防潮 / Moisture-proof                 | 一级                          |
| 反光度 / Reflective degree             | 25 度                        |
| 安装成本 / Installation Cost            | 较低                          |
| 防火等级 / Fire rating                  | A级 (GB8624-2012)            |
| 隔音等级 / Sound insulation performance | 冲孔板 - CAC24dB, 平板 - CAC24dB |



# 饰面选择

## Finishes Options

### 聚酯 / Polyester Coating



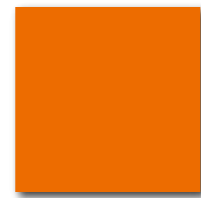
米白 / White



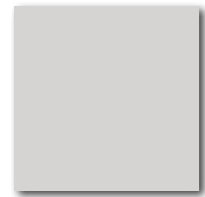
象牙白 / Ivory



米黄 / Beige



亮橙 / Orange



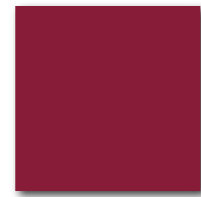
浅灰 / Light grey



闪银 / Silver



炭灰 / Dark gray



酒红 / Wine

马斯德克提供多种RAL颜色的选择, 并可根据客户需求订做所需颜色。  
Mörsdekor offer a variety of RAL color options and can be customized according to customer demand for color.



### GIS饰面 / GIS Standard Colors



001



002



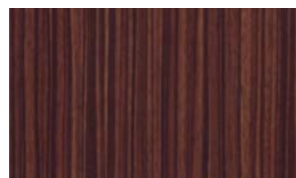
003



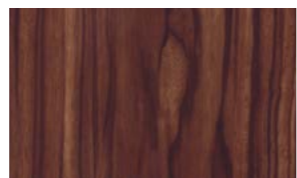
004



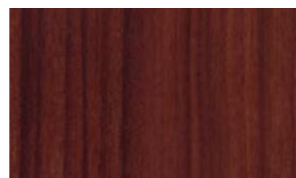
005



006



007



008

以上饰面为标准贴面, 其他贴面可根据客户要求订做。  
The above standard finishes for wood colors can be customized according to customer requirements.

注: 由于印刷原因, 本画册产品颜色与产品实物可能出现色差, 请以产品实物为准。  
Note: Product colors shown on the Product Catalogue may differ from the actual colors due to printing. In the case, the actual product color shall prevail.